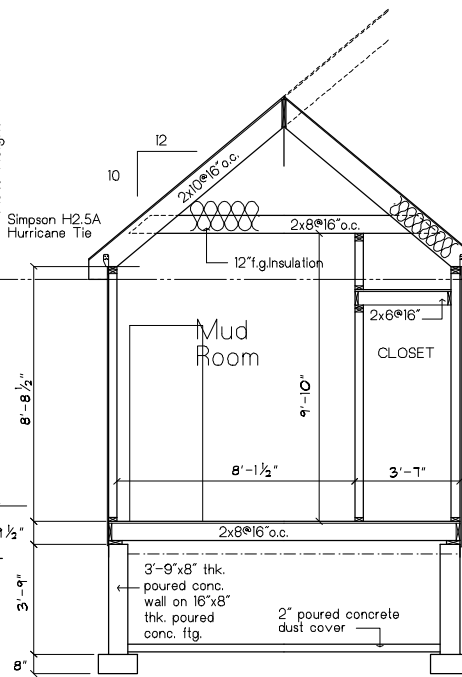


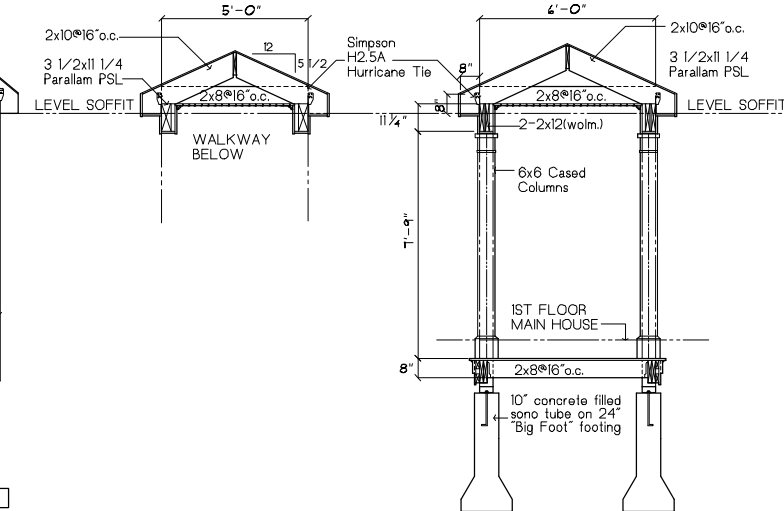
SECTION A

Scale 1/4"=1'-0"



SECTION B

Scale 1/4"=1'-0"



SECTION C

Scale 1/4"=1'-0"

ZIBRAT & MCCARTHY LLP

63 Crowell Road
Chatham, Mass. 02633
508-945-9424

PROPOSED GARAGE FOR:

Mr. & Mrs. J. Aucoin

Millstone Road, Brewster, MA.

4 MAR 2010

REV:10 MAR 2010

A6